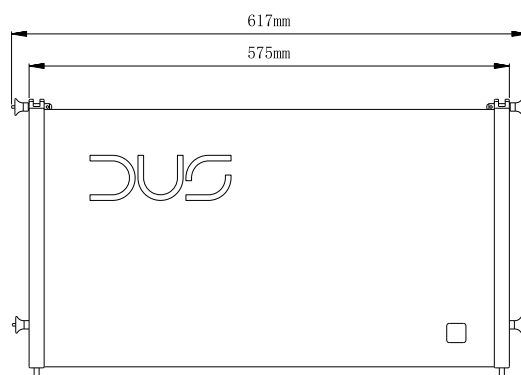
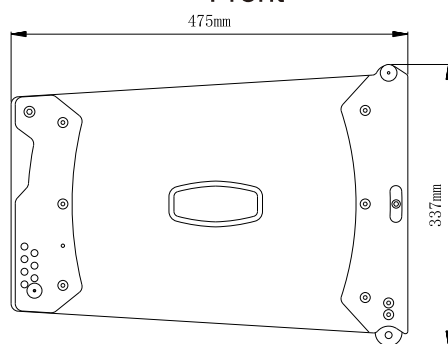


QH10

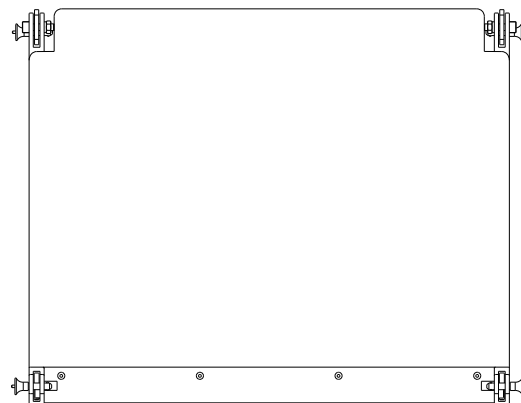
QH SERIES



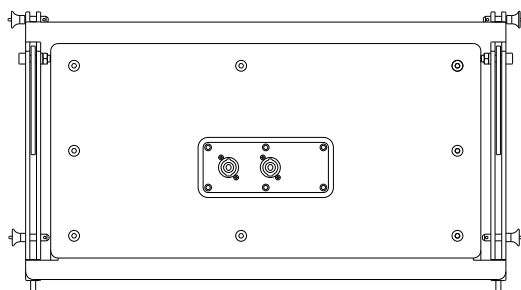
Front



Side



Top



Back