

QH10SW

QH SERIES

QH10SW featured 18inch low-frequency transducers with high-power configuration. Profit by cabinet natural extension of the transmission line design, effectively increase and improves the low-frequency response and sensitivity, without any other increase other subwoofer extra burden can be reach to 98dB, maximum 132dB. QH10SW configurated with fast installation hanging accessories, can be completed quickly array installation with less work and time. Can use with QH10, QH10X.

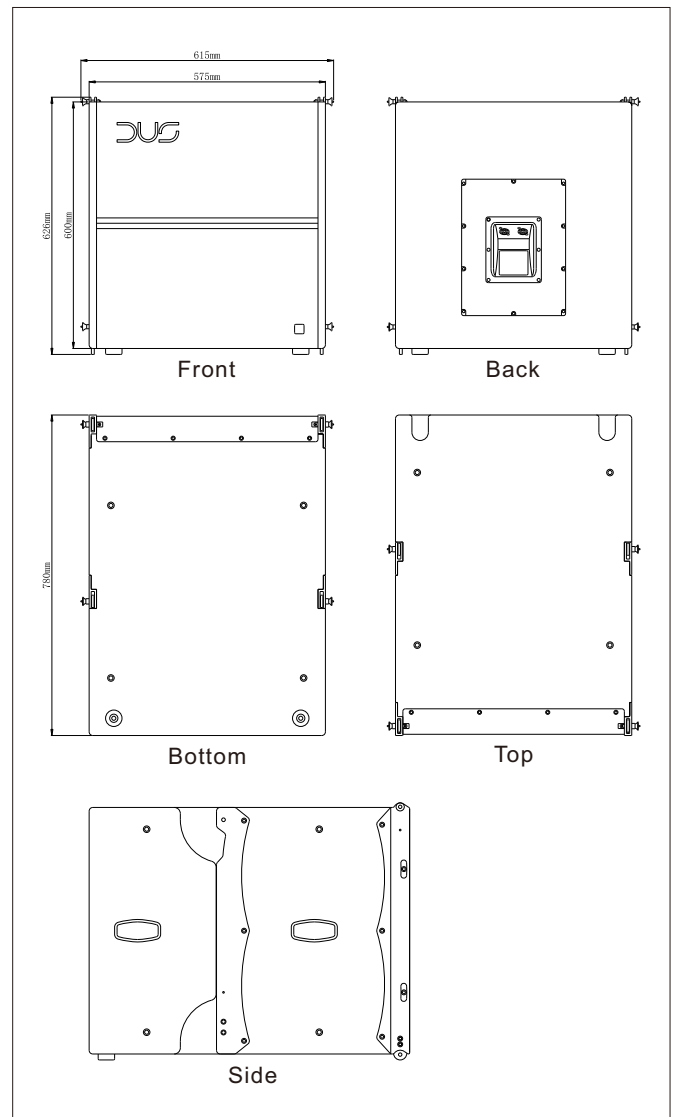


Acoustic Performance

System	Subwoofer
Frequency Range (-10dB)	32Hz-300Hz
Frequency Range (±3dB)	38Hz-200Hz
Rated Power	600W
Maximun Power	2400W
Sensitivity(1w/1m)	98dB
Maximum SPL	132dB
Loudspeakers	1x18"
X-over	120Hz/24dB/octave
Nominal Impedance	8Ω
Connections	2xNLT4±1

Physical Performance

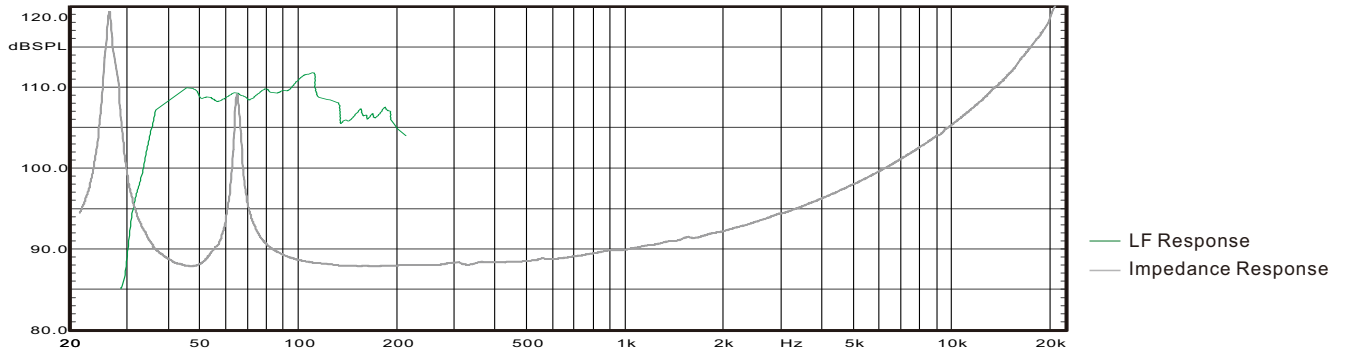
Hoisting Way	Hoisting with 4
Size(WxDxH)	575x780x600(mm)
Weight	N.W:56.5kg R.W:60.5kg



QH10SW

QH SERIES

Frequency Response&Impedance



Phase Curve

