

# Q05SW

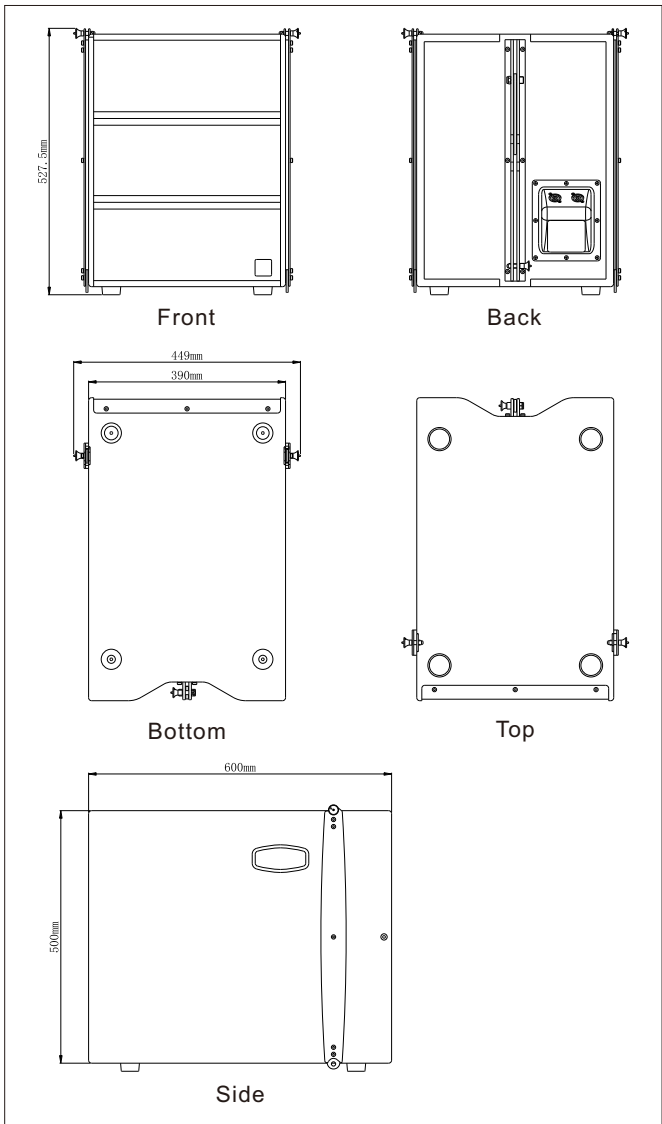
Q SERIES

Q05SW featured dual 10inch low-frequency transducers with high-power configuration. Profit by cabinet natural extension of the transmission line design, effectively increase and improves the low-frequency response and sensitivity, without any other increase other subwoofer extra burden can be reach to 95dB, maximum 127dB. Q05SW configurated with fast installation hanging accessories, can be completed quickly array installation with less work and time. Match with Q05 speaker can be widely used for middle to small size theatre, school, auditorium, sports, hotel ballroom, small Live House venue, and theme park applications.

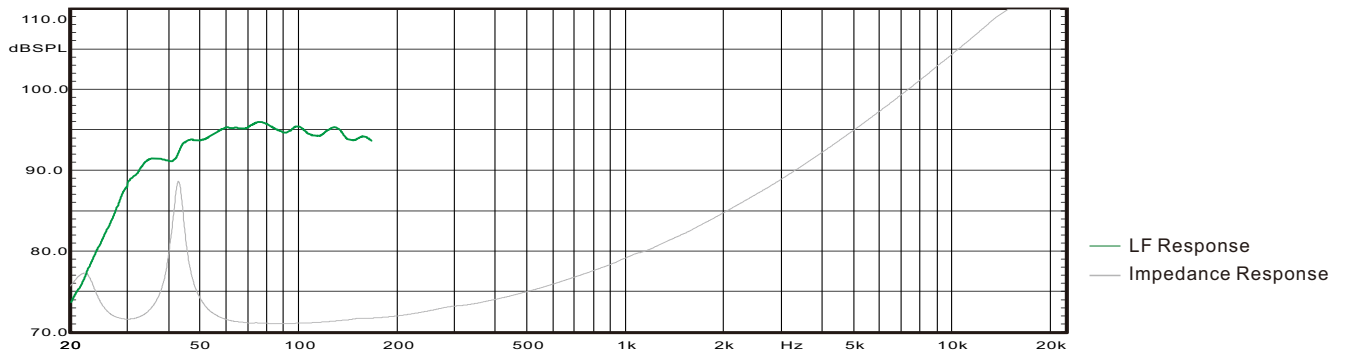


Acoustic Performance	
System	Subwoofer
Frequency Range (-10dB)	35Hz-300Hz
Frequency Range (±3dB)	45Hz-250Hz
Rated Power	400W
Maximun Power	1600W
Sensitivity(1w/1m)	95dB
Maximum SPL	127dB
Loudspeakers	2x10"
X-over	150Hz/24dB/octave
Nominal Impedance	16Ω
Connections	2xNLT4±1

Physical Performance	
Hoisting Way	Hoisting with 3
Size(WxDxH)	449x600x528(mm)
Weight	N.W:35kg R.W:39.5kg



Frequency Response&Impedance



Phase Curve

