

Q08

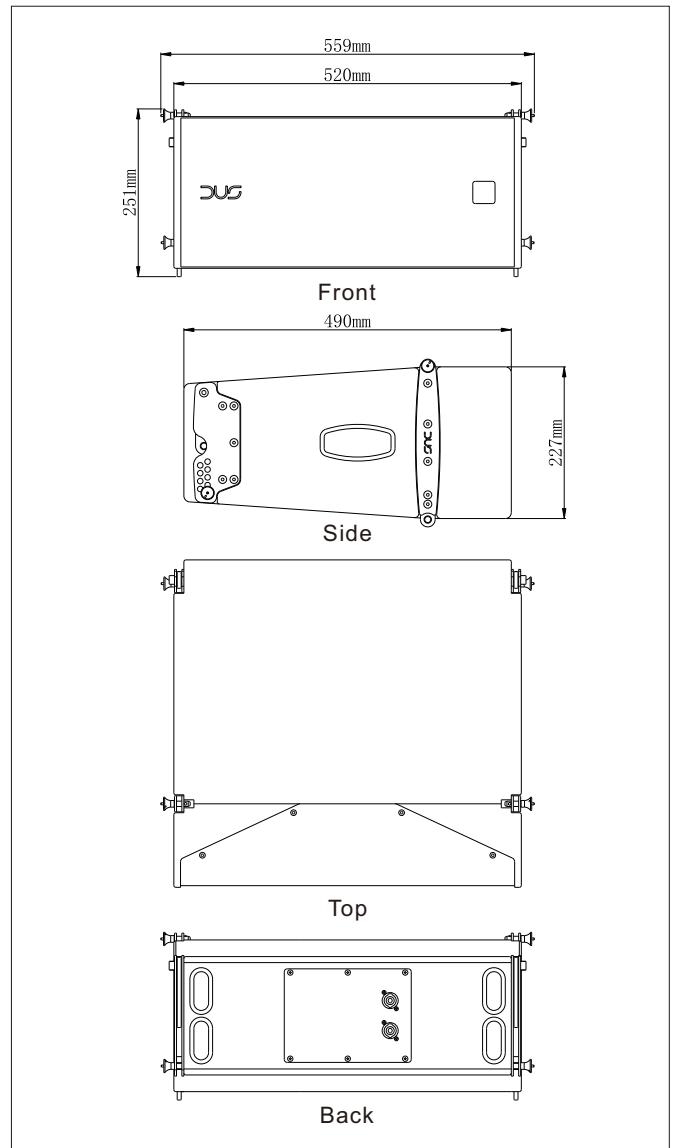
Q SERIES

Q08 line array full range speaker featured dual 8inch ND low-mid transducers and a 3inch ND compression driver that have been designed focused on middle to small size venues. Optimized driver placement and the HF wave guide throughout the Q series makes Q08 speaker resulted a consistency 120-degree horizontal coverage and a higher slope attenuation at vertical direction.

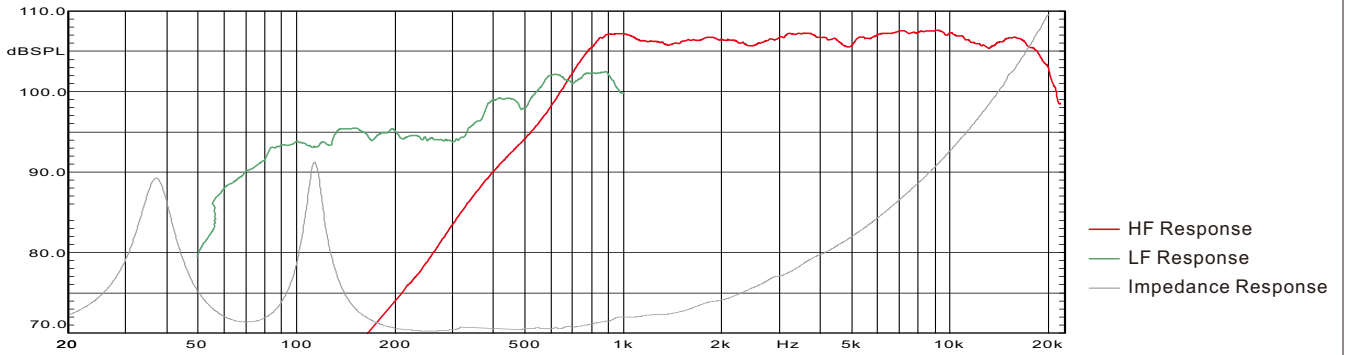
Q08 speaker has built-in rigging hardware for easily setup that can be done even by only one engineer. Flexible configurations makes Q08 speaker can be used as traditional line array system for longer throw or as a standalone full range point source speakers for some applications like stage front-fill, under balcony fills when work with other Q series as a left right main system. Q08 speaker can be widely used for middle to small size theatre, school, auditorium, sports, hotel ballroom, small Live House venue, and theme park applications. For more low frequency energy applications Q08SW subwoofer can be perfectly worked with Q08 full range for lower frequency range extension. Q08SW has same width as Q08 that can be assembled into a single array for flown or ground stack configuration.



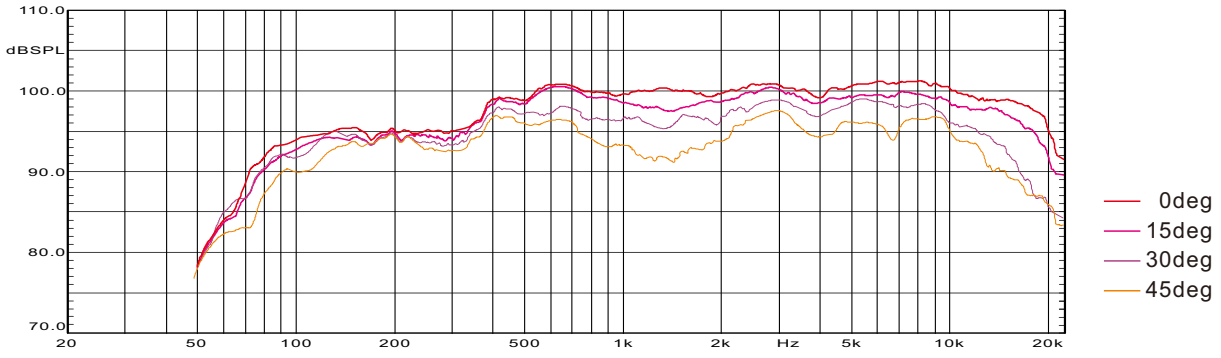
Acoustic Performance	
System	2-way line array loudspeaker
Frequency Range (-10dB)	70Hz-2.5kHz(LF) 800Hz-20kHz(HF)
Frequency Range (±3dB)	80Hz-2kHz(LF) 900Hz-18kHz(HF)
Dispersion Angle	120° x 8° (HxV)
Rated Power	300W(LF)/90W(HF)
Maximun Power	1200W(LF)/360W(HF)
Sensitivity(1w/1m)	97dB(LF)/107dB(HF)
Maximum SPL	128dB(LF)/133dB(HF)
Loudspeakers	LF:2x8"Neodymium HF:1x3"Neodymium
X-over	1.5kHz/24dB/octave
Nominal Impedance	16Ω(LF)/16Ω(HF)
Connections	2xNLT4±1(LF)/±2(HF)
Physical Performance	
Hoisting Way	Hoisting with 4
Size(WxDxH)	520x490x227(mm)
Weight	N.W:28kg R.W:32.2kg



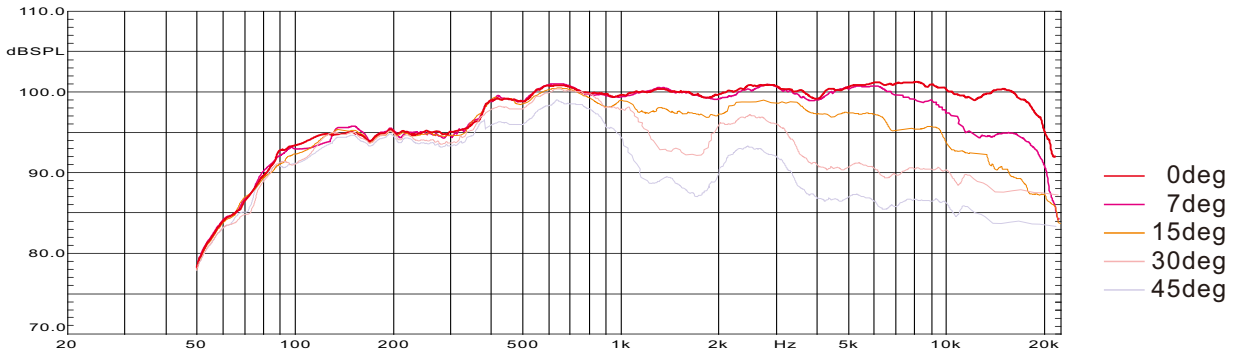
Frequency Response & Impedance



Frequency Response in Horizontal



Frequency Response in Vertical



Phase Curve

